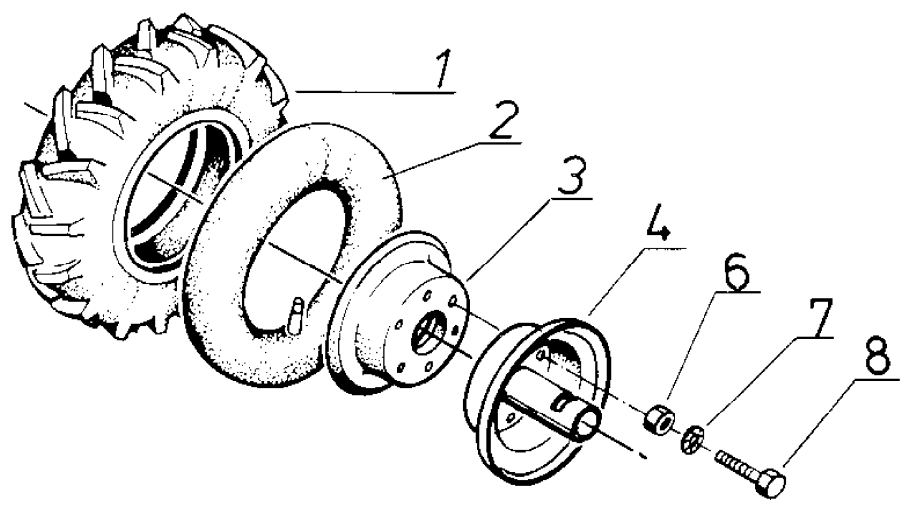
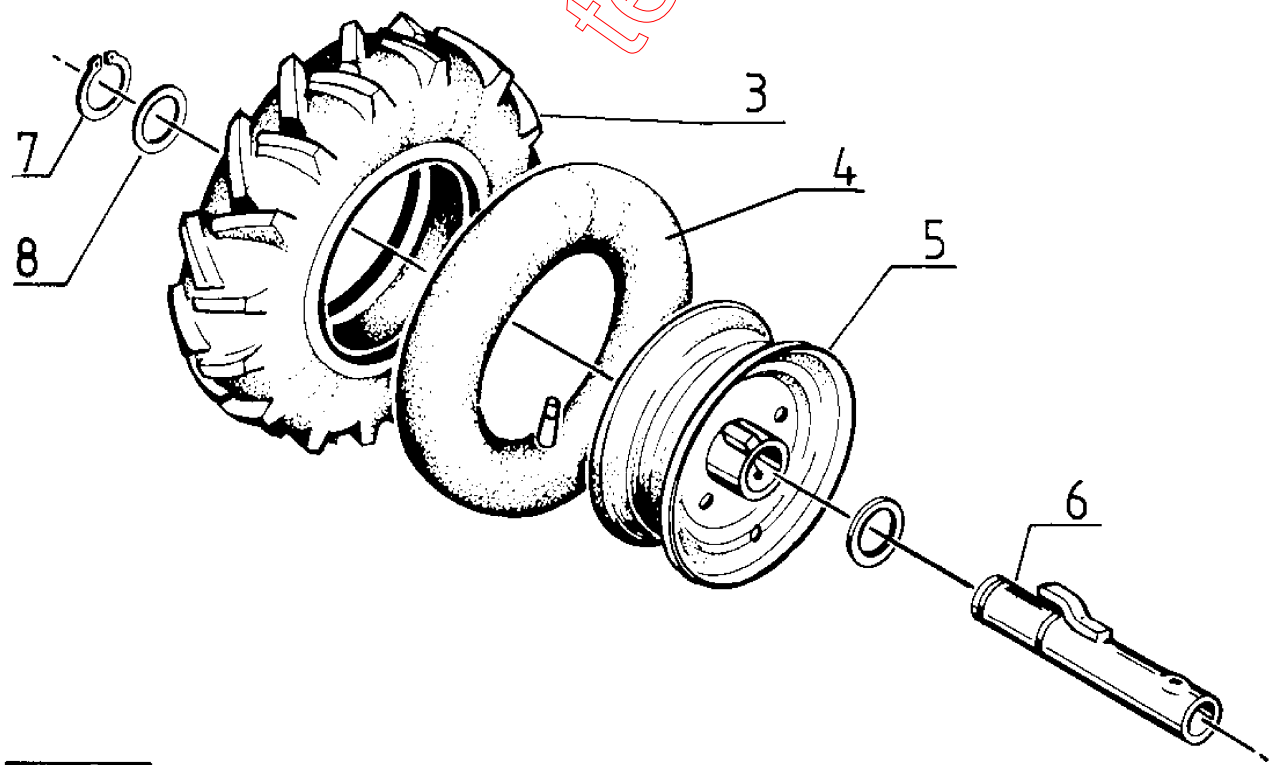


10"



15"



## Section: RUBBER WHEELS 15" ART.NO 14-1931-11

Pos.	Quantity	Spare part No	Description	Kit	Notes	New
------	----------	---------------	-------------	-----	-------	-----

1931

0		..14-1931-11	Rubber wheels assy			
3	2	1489-0419-01	Tire		350 x 8-15	
4	2	1489-0421-01	Inner tube			
5	2	1489-0310-01	Rim			
6	2	1489-0312-01	Tube shaft			
7	2	9650-0038-04	Lock ring			
8	4	1489-0311-01	Washer			

test